

# Bulk Powder Transfer Bag

A leading, scalable, standard offer – with ILC Dover EZ BioPac<sup>®</sup>

The trend toward single use disposables technology and systems for bioprocessing is commonplace in bio-manufacturing facilities, with many users enjoying reduced facility costs, improved flexibility, and a reduced risk profile.

Media and Buffer preparation remains a key part of Biopharmaceutical manufacturing, and traditionally, their preparation is labor intensive and can lead to risk related to containment and employee safety. As such, this process could benefit from cleaner, safer, and more efficient processes.

## An Intuitive Approach to Bulk Powder Handling

We have qualified EZ BioPac<sup>®</sup>, from ILC Dover as their preferred bulk powder package. Manufactured with ArmorFlex<sup>®</sup> 114 film, the EZ BioPac<sup>®</sup> range is a fit for purpose, scalable and intuitive offer that enables the clean, safe and efficient delivery of bulk powders into bioprocess. Benefits include:

- Pre-filled, pre-weighed – ready to go
  - Eliminates re-weighing and bagging, reducing potential contamination and streamlines operations
  - Precise tare weights eliminate the need for repetitive activities such as scooping and weighing
- 1–100 Kg fill capability
  - A broad and flexible offer aligns with the need to manage varying volume demands, and drives efficiency
- Ergonomic design with novel connections
  - Simple, safe and secure connection to the process
  - Several neck configurations available, for ease of use, and handles/lifting loops for safe and easy handling
- ArmorFlex<sup>®</sup> 114 film construction is standard
  - Permanent antistatic properties enables full discharge of powder without wash down (99.9% Product Recovery)

## ArmorFlex<sup>®</sup> 114 Film for Performance

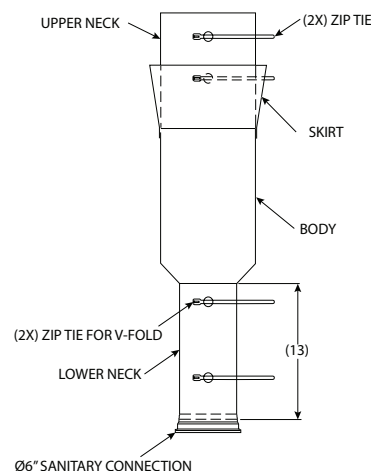
EZ BioPac<sup>®</sup> is manufactured with a single layer of ArmorFlex<sup>®</sup> 114; a linear low density polyethylene film (LLDPE), chosen for its purity, strength and elasticity, which meets all the required regulatory compliance standards:

- Meets FDA, USP and EU regulatory compliance standards
- Complies with FDA 21 CFR
- Passes USP <661> Physiochemical tests for plastics
- Passes USP <88> Class VI (7 day implant)
- Passes USP <87> biological reactivity, *in vitro*
- Permanent antistatic formulation, with no added slip or block agents
- Animal Component Free and of Non-Animal Origin

## Engineered for Clean, Safe and Efficient Powder Delivery

EZ BioPac<sup>®</sup> is designed to simplify bulk powder transfer for all scales of operation. Key design features include:

- Standard sanitary and stretch fit connection options for ease of use with standard or single use operations
- Robust ergonomic design, with built-in lifting handles for small volumes and lifting loops for scale up
- Built in zip ties for quick product release and bag closure, post dispense



EZ BioPac® Part Number	Secondary Outer Shipping Container	Connector Options	Guideline volume fill Kgs (Actual based on bulk density)										
			10	20	30	40	50	60	70	80	90	100	
DP4602	40 L box	4" Non Gasket Flange											
DP4515	40 L box	4" Stretch Fit											
DP4603	14 Gal drum	6" Flange											
DP4604	14 Gal drum	6" Stretch											
DP4487	30 Gal drum	6" Flange											
DP4600	30 Gal drum	6" Stretch											
DP4537	47 Gal drum	6" Flange											
DP4601	47 Gal drum	6" Stretch											
DP4652	47 Gal drum	8" Non Gasket Flange											

All products listed are made with ArmorFlex® 114 film (liner low density polyethylene)

### Optional accessories to support process implementation

Part Number	Accessory	Description
HW 11200	Lifting Bars	Low profile lifting bar for products DP4603, DP4604
HW 11089	Lifting Bars	Low profile lifting bar for products DP4487, DP4600, DP4537, DP4601, DP4652
HW 10977	Lifting System	Stainless steel manual lifting system ≤45 Kg capacity
HW 10506	Lifting System	Stainless steel manual lifting system ≤50 Kg capacity
HW 11230	Hand tool	Stainless steel cable tie removal tool
SF1G-3A-R0-2EA	Sample Bags/Dry Bags	EZ BioPac®, 1 L, V-fold neck, 3" Non Gasket, AF114
SF5G-3A-R0-2EA	Sample Bags/Dry Bags	EZ BioPac®, 5 L, V-fold neck, 3" Non Gasket, AF114
DP4714-1EA	Dry Bags	EZ BioPac®, 40 L, V-fold neck, 3" Flange, AF114
DP4715-1EA	Dry Bags	EZ BioPac®, 40 L, V-fold neck, 3" Non Gasket, AF114

### To place an order or receive technical assistance

In the U.S. and Canada, call toll-free 1-800-645-5476

For other countries across Europe and the world, please visit: [emdmillipore.com/offices](http://emdmillipore.com/offices)

For Technical Service, please visit: [emdmillipore.com/techservice](http://emdmillipore.com/techservice)

[milliporesigma.com](http://milliporesigma.com)

