

# Spare parts for QuikScale® Chromatography columns

## Diameters 70/100/140 mm

1. Bottom Column 70 mm .....	2
2. Bottom Column 100 mm .....	6
3. Bottom Column 140 mm .....	10
4. Top Column 70 mm .....	14
5. Top Column 100 mm .....	15
6. Top Column 140 mm .....	16

Note:

\* **Preventive maintenance (PM) parts** are subject to wear and tear. Under average usage conditions, they should be replaced at least once per year. A risk assessment based on the specific system usage and production conditions may indicate replacement of some or all of these parts more frequently.

\* **Critical parts** have been identified as most critical to avoiding system downtime and are recommended to be kept in stock for immediate availability.

For both **PM parts** and **critical parts** stock recommendation is 1 part per unit.



The life science business of Merck KGaA, Darmstadt, Germany operates as MilliporeSigma in the U.S. and Canada.



















# Kits for Bottom QuikScale® Column—Diameter 100 GS Acrylic

KITS FOR BOTTOM COLUMN QuikScale® DIA 100 MODEL GS—ACRYLIC—REF GS101711—GS101712—GS101713

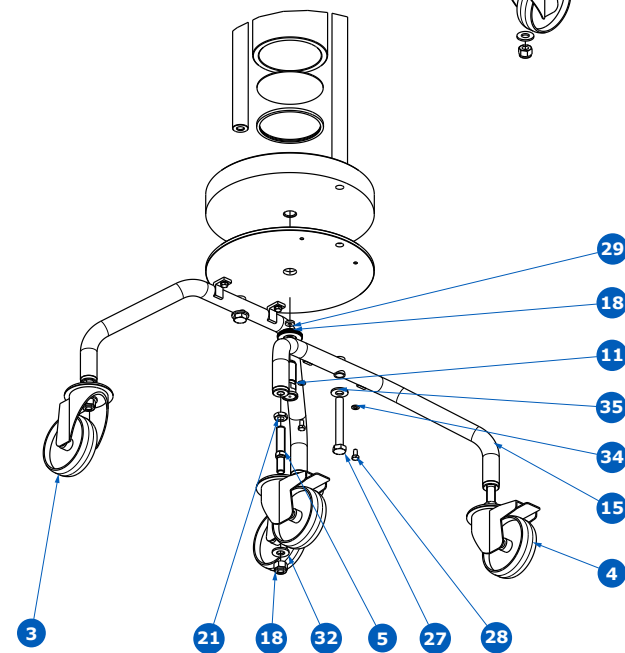
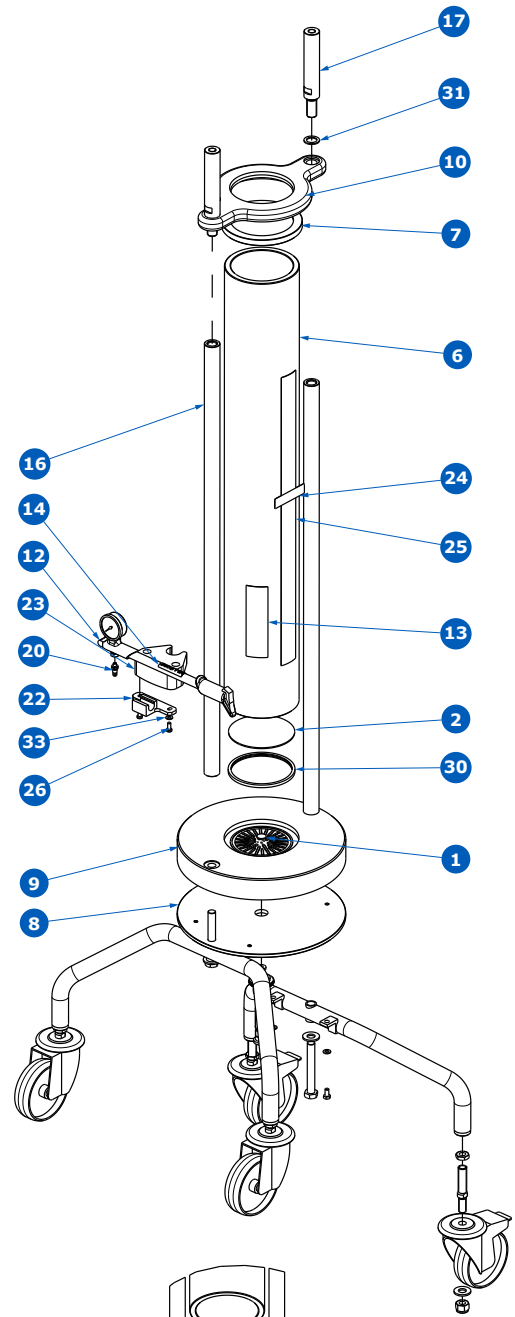
### NOTE 1

#### Fixed Bed Support Mesh Screens

10 μm	20 μm	30 μm
SPKQS100016	SPKQS100017	SPKQS100018

### NOTE 2

HEIGHT	LOAD PILLAR	COLUMN TUBE & SCALE LABEL
100 x 550	SPKQS0710140015	SPKQS100006
100 x 800	SPKQS0710140016	SPKQS100007
100 x 1100	SPKQS0710140017	SPKQS100008

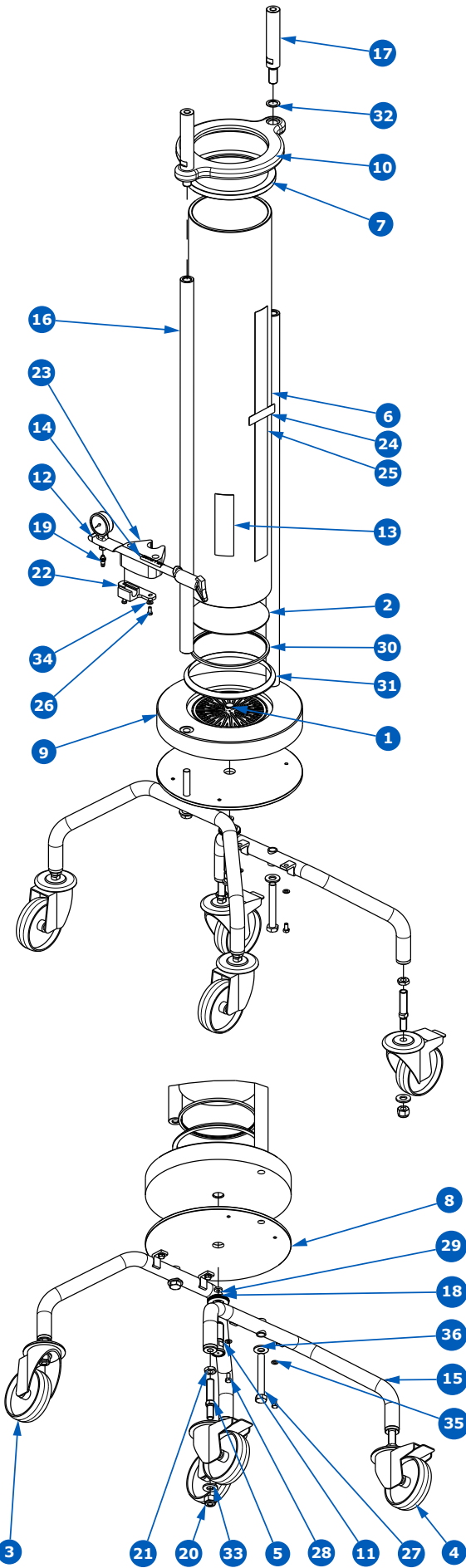


Item	Qty	DESCRIPTION	MATERIAL/COMMENT	Kits Catalogue Numbers																				
				SPKQS100006 (other)	SPKQS100007 (other)	SPKQS100008 (other)	SPKQS0710140015 (other)	SPKQS0710140016 (other)	SPKQS0710140017 (other)	SPKQS0710140018 (other)	SPKQS100015 (other)	SPKQS100016 (critical)	SPKQS100017 (critical)	SPKQS100018 (critical)	SPKQS100020 (critical)	SPKQS100021 (critical/PM)	SPKQS100026 (other)	SPKQS0710140019 (other)	SPKQS0710140021 (other)	SPKQS0710140022 (other)	SPKQS0710140025 (other)	SPKQSXX0003 (other)	SPKQSXX0004 (other)	
				1	1	ANTI-JET DISC, 15 mm O/D, GL70-140 COLUMNS	BLACK POLYPROPYLENE																	
2	1	BED SUPPORT ØD x Ø7 x 1.7 THK	POROSTAR—DIN 1.4539, See Note 1												1	1	1							
3	2	CASTOR—SWIVEL—Ø100—SINGLE BOLTHOLE																					2	
4	2	CASTOR—SWIVEL—BRAKED—Ø100—SINGLE BOLTHOLE																					2	
5	4	CASTOR STUD THREADED M12 x M12 MALE, GL70/140 COLUMNS	SST 316L																				4	
6	1	COLUMN TUBE ACRYLIC/GLASS—P100	ACRYLIC, See Note 2	1	1	1																		
7	1	COLUMN TUBE PROTECTOR (GSP & GAP 100)	NATURAL POLYPROPYLENE																1					
8	1	FIXED CELL BACKING PLATE Ø236 x 6 mm, GL70-140 COLUMNS	SST 316L																				1	
9	1	FIXED CELL GS100 COLUMN	POLYPROPYLENE FDA														1							
10	1	FLANGE TOP COLUMN TUBE, GL100 COLUMN	SST 316L FORGED											1										
11	1	FLOW TUBE ADAPTOR 1/2"	SST 316L																		1			
12	1	HIGH PRESSURE PUMP, HAND OPERATED, 300 PSI	VARIOUS																					
13	1	LABEL LOGO QuikScale®		1	1	1																		
14	1	LABEL MILLIPORE FOR HAND PUMP																						1
15	2	LEG WELD ASSY—GL70/140 COLUMNS	SST 304																				2	
16	2	LOAD PILLAR THREADED M16	SST 316L, See Note 2								2	2	2											
17	2	LOAD PILLAR UPPER THREADED M16 MALE x M12 FEMALE, GL70-140 COLUMNS	SST 316L										2											
18	1	LOCK NUT M20 x 1.5	ACETAL																				1	
19	1	MALE STUD PNEUMATIC FITTING, M5 MALE x 4 mm O/D TUBE PUSH-IN																						1
20	4	NUT—HEX NYLOC—M12	SST 316																				4	
21	4	NUT—HEX THIN—M12	SST 316																				4	
22	1	PUMP BRACKET, HIGH PRESSURE	BLACK ACETAL																					1
23	1	PUMP SUPPORT BRACKET	BLACK ACETAL																					1
24	1	RATING PLATE LABEL																						
25	1	SCALE LABEL GL100 COLUMN	See Note 2	1	1	1																		
26	2	SCREW—PAN-HEAD-SLOTTED—M5 x 12 LG	SST 316																					2
27	2	SCREW—SET HEX HEAD—M12 x 90 LG	SST 316				2	2	2							2					2	2		
28	4	SCREW—SET HEX HEAD—M6 x 12 LG	SST 316																			4	4	
29	1	SEAL—SQUARE SECTION—14.5 O/D x 6 I/D x 3 THICK	EPDM															1	1		1	1		
30	1	SEAL 'U' SECTION BED SUPPORT—Ø107.0	EPDM FDA	1	1	1											1	1	1	1	1			
31	2	THRUST WASHER	BLACK ACETAL				2	2	2	2	2													
32	4	WASHER—PLAIN—M12	SST 316																				4	
33	2	WASHER—PLAIN—M5	SST 316																					2
34	4	WASHER—PLAIN—M6	SST 316																				4	4
35	2	WASHER—SPRING—M12	SST 316				2	2	2								2						2	2



# Kits for Bottom QuikScale® Column—140 Diameter GS Glass

KITS FOR BOTTOM COLUMN QuikScale® DIA 140 MODEL GS GLASS—REF GS142611—GS142612—GS142613



NOTE 1		
Fixed Bed Support Mesh Screens		
10 µm	20 µm	30 µm
SPKQS140016	SPKQS140017	SPKQS140018

NOTE 2		
HEIGHT	LOAD PILLAR	COLUMN TUBE & SCALE LABEL
140 x 550	SPKQS0710140015	SPKQS140009
140 x 800	SPKQS0710140016	SPKQS140010
140 x 1100	SPKQS0710140017	SPKQS140011

Item	Qty	DESCRIPTION	MATERIAL/COMMENT	Kits Catalogue Numbers																						
				SPKQS140009 (other)	SPKQS140010 (other)	SPKQS140011 (other)	SPKQS0710140015 (other)	SPKQS0710140016 (other)	SPKQS0710140017 (other)	SPKQS0710140018 (other)	SPKQS140015 (other)	SPKQS140016 (other)	SPKQS140017 (other)	SPKQS140018 (other)	SPKQS140020 (critical)	SPKQS140021 (critical/PM)	SPKQS0710140019 (other)	SPKQS0710140021 (other)	SPKQS0710140022 (other)	SPKQS0710140025 (other)	SPKQSXX0003 (other)	SPKQSXX0004 (other)				
1	1	ANTI-JET DISC, 15 mm O/D, GL70-140 COLUMNS	BLACK POLYPROPYLENE																1							
2	1	BED SUPPORT ØD x Ø7 x 1.7 THK	POROSTAR—DIN 1.4539, See Note 1												1	1	1									
3	2	CASTOR—SWIVEL—Ø100—SINGLE BOLTHOLE																							2	
4	2	CASTOR—SWIVEL—BRAKED—Ø100—SINGLE BOLTHOLE																							2	
5	4	CASTOR STUD THREADED M12 x M12 MALE, GL70/140 COLUMNS	SST 316L																						4	
6	1	COLUMN TUBE GLASS—GL140 COLUMN	BOROSILICATE GLASS, See note 2	1	1	1																				
7	1	COLUMN TUBE PROTECTOR (GSG & GAG 140)	NATURAL POLYPROPYLENE	1	1	1																				
8	1	FIXED CELL BACKING PLATE Ø236 x 6 mm, GL70-140 COLUMNS	SST 316L																						1	
9	1	FIXED CELL GS140 COLUMN	POLYPROPYLENE FDA															1								
10	1	FLANGE TOP COLUMN TUBE, GL140 COLUMN	SST 316L FORGED												1											
11	1	FLOW TUBE ADAPTOR 1/2"	SST 316L																						1	
12	1	HIGH PRESSURE PUMP, HAND OPERATED, 300 PSI	VARIOUS																						1	
13	1	LABEL LOGO QuikScale®		1	1	1																				
14	1	LABEL MILLIPORE FOR HAND PUMP																							1	
15	2	LEG WELD ASSY—GL70/140 COLUMNS	SST 304																						2	
16	2	LOAD PILLAR THREADED M16	SST 316L, See Note 2																							
17	2	LOAD PILLAR UPPER THREADED M16 MALE x M12 FEMALE, GL70-140 COLUMNS	SST 316L																						2	
18	1	LOCK NUT M20 x 1.5	ACETAL																						1	
19	1	MALE STUD PNEUMATIC FITTING, M5 MALE x 4 mm O/D TUBE PUSH-IN																							1	
20	4	NUT—HEX NYLOC—M12	SST 316																						4	
21	4	NUT—HEX THIN—M12	SST 316																						4	
22	1	PUMP BRACKET, HIGH PRESSURE	BLACK ACETAL																						1	
23	1	PUMP SUPPORT BRACKET	BLACK ACETAL																						1	
24	1	RATING PLATE LABEL																								
25	1	SCALE LABEL GL140 COLUMN	See Note 2	1	1	1																				
26	2	SCREW—PAN-HEAD-SLOTTED—M5 x 12 LG	SST 316																						2	
27	2	SCREW—SET HEX HEAD—M12 x 90 LG	SST 316																	2	2	2				
28	4	SCREW—SET HEX HEAD—M6 x 12 LG	SST 316																						4	
29	1	SEAL—SQUARE SECTION—14.5 O/D x 6 I/D x 3 THICK	EPDM																						1	
30	1	SEAL 'U' SECTION BED SUPPORT—Ø147.0	EPDM FDA	1	1	1																			1	
31	1	SUPPORT RING—TUBE STOP, GSG 140	BLACK PROPYLENE	1	1	1																			1	
32	2	THRUST WASHER	BLACK ACETAL																						2	
33	4	WASHER—PLAIN—M12	SST 316																						4	
34	2	WASHER—PLAIN—M5	SST 316																						2	
35	4	WASHER—PLAIN—M6	SST 316																						4	
36	2	WASHER—SPRING—M12	SST 316																						2	



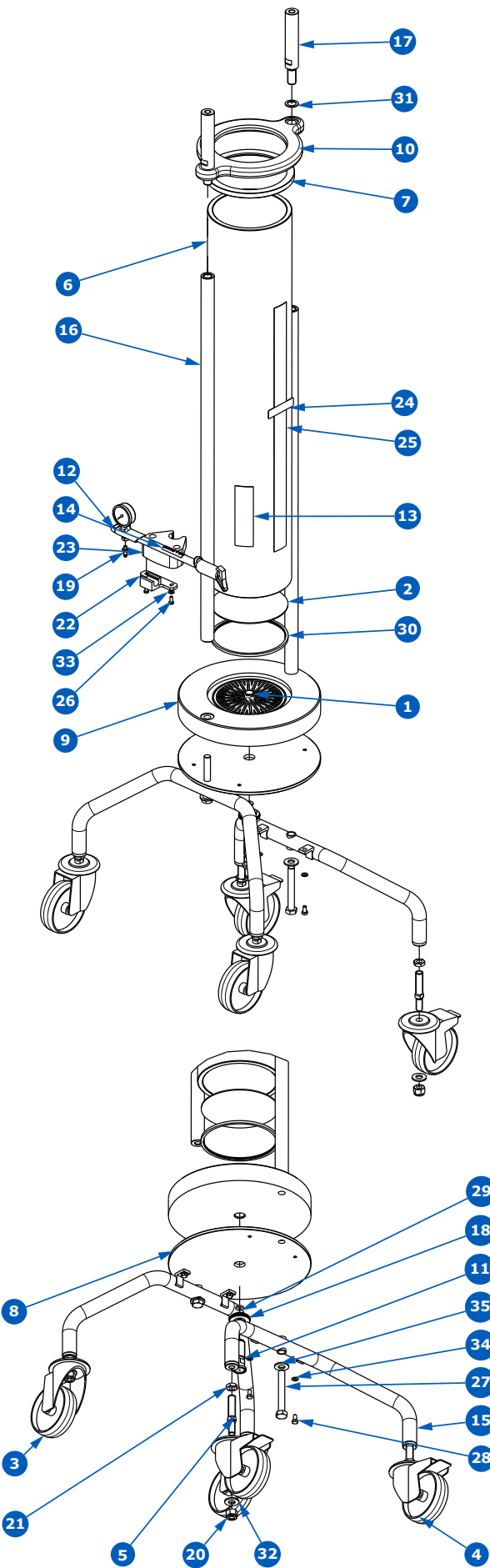


# Kits for Bottom QuikScale® Column—Diameter 140 GS Acrylic

## KITS FOR BOTTOM COLUMN QuikScale® DIA 140 MODEL GS—ACRYLIC—REF GS141711— GS141712—GS141713

NOTE 1		
Fixed Bed Support Mesh Screens		
10 µm	20 µm	30 µm
SPKQS140016	SPKQS140017	SPKQS140018

NOTE 2		
HEIGHT	LOAD PILLAR	COLUMN TUBE & SCALE LABEL
140 x 550	SPKQS0710140015	SPKQS140006
140 x 800	SPKQS0710140016	SPKQS140007
140 x 1100	SPKQS0710140017	SPKQS140008



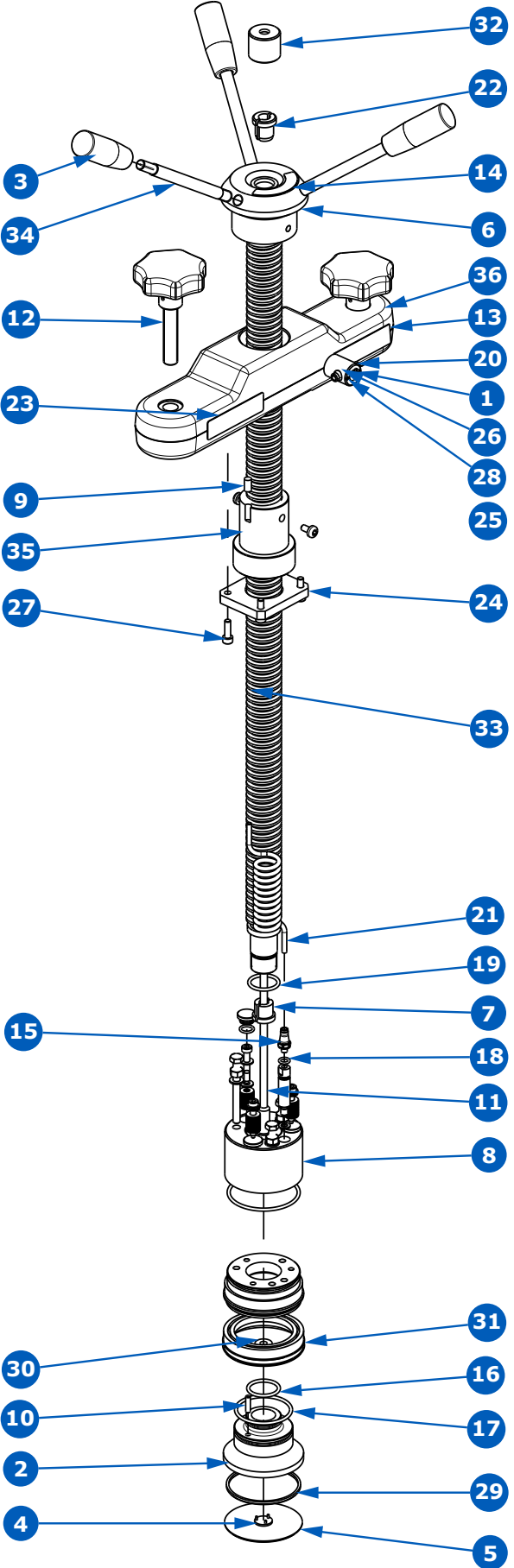
Item	Qty	DESCRIPTION	MATERIAL/COMMENT	Kits Catalogue Numbers																			
				SPKQS140006 (other)	SPKQS140007 (other)	SPKQS140008 (other)	SPKQS0710140015 (other)	SPKQS0710140016 (other)	SPKQS0710140017 (other)	SPKQS0710140018 (other)	SPKQS140015 (other)	SPKQS140016 (critical)	SPKQS140017 (critical)	SPKQS140018 (critical)	SPKQS140020 (critical)	SPKQS140021 (critical/PM)	SPKQS140024 (other)	SPKQS0710140019 (other)	SPKQS0710140021 (other)	SPKQS0710140022 (other)	SPKQS0710140025 (other)	SPKQSXX0003 (other)	SPKQSXX0004 (other)
1	1	ANTI-JET DISC, 15 mm O/D, GL70-140 COLUMNS	BLACK POLYPROPYLENE																				
2	1	BED SUPPORT ØD x Ø7 x 1.7 THK	POROSTAR—DIN 1.4539, See Note 1												1	1	1						
3	2	CASTOR—SWIVEL—Ø100—SINGLE BOLTHOLE																					2
4	2	CASTOR—SWIVEL—BRAKED—Ø100—SINGLE BOLTHOLE																					2
5	4	CASTOR STUD THREADED M12 x M12 MALE, GL70/140 COLUMNS	SST 316L																				4
6	1	COLUMN TUBE ACRYLIC/GLASS—P140	ACRYLIC, See Note 2	1	1	1																	
7	1	COLUMN TUBE PROTECTOR (GSP & GAP 140)	NATURAL POLYPROPYLENE																	1			
8	1	FIXED CELL BACKING PLATE Ø236 x 6 mm, GL70-140 COLUMNS	SST 316L																				1
9	1	FIXED CELL GS140 COLUMN	POLYPROPYLENE FDA														1						
10	1	FLANGE TOP COLUMN TUBE, GL140 COLUMN	SST 316L FORGED														1						
11	1	FLOW TUBE ADAPTOR 1/2"	SST 316L																		1		
12	1	HIGH PRESSURE PUMP, HAND OPERATED, 300 PSI	VARIOUS																				1
13	1	LABEL LOGO QuikScale®		1	1	1																	
14	1	LABEL MILLIPORE FOR HAND PUMP																					1
15	2	LEG WELD ASSY—GL70/140 COLUMNS	SST 304																				2
16	2	LOAD PILLAR THREADED M16	SST 316L, See Note 2				2	2	2														
17	2	LOAD PILLAR UPPER THREADED M16 MALE x M12 FEMALE, GL70-140 COLUMNS	SST 316L										2										
18	1	LOCK NUT M20 x 1.5	ACETAL																		1		
19	1	MALE STUD PNEUMATIC FITTING, M5 MALE x 4 mm O/D TUBE PUSH-IN																					1
20	4	NUT—HEX NYLOC—M12	SST 316																			4	
21	4	NUT—HEX THIN—M12	SST 316																				4
22	1	PUMP BRACKET, HIGH PRESSURE	BLACK ACETAL																				1
23	1	PUMP SUPPORT BRACKET	BLACK ACETAL																				1
24	1	RATING PLATE LABEL																					
25	1	SCALE LABEL GL140 COLUMN	See Note 2	1	1	1																	
26	2	SCREW—PAN-HEAD-SLOTTED—M5 x 12 LG	SST 316																				2
27	2	SCREW—SET HEX HEAD—M12 x 90 LG	SST 316				2	2	2								2				2	2	
28	4	SCREW—SET HEX HEAD—M6 x 12 LG	SST 316																			4	4
29	1	SEAL—SQUARE SECTION—14.5 O/D x 6 I/D x 3 THICK	EPDM														1	1		1	1		
30	1	SEAL 'U' SECTION BED SUPPORT—Ø147.0	EPDM FDA	1	1	1										1	1	1	1	1			
31	2	THRUST WASHER	BLACK ACETAL				2	2	2	2	2												
32	4	WASHER—PLAIN—M12	SST 316																			4	
33	2	WASHER—PLAIN—M5	SST 316																				2
34	4	WASHER—PLAIN—M6	SST 316																			4	4
35	2	WASHER—SPRING—M12	SST 316				2	2	2							2				2	2		

# Kits for Top QuikScale<sup>®</sup> Column—Diameter 70 GA & GS

## KITS FOR TOP COLUMN QuikScale<sup>®</sup> DIA 70 MODEL GA & GS

REF GA071711—GA071712—GA071713  
 REF GS071711—GS071712—GS071713  
 REF GA072711—GA072712—GA072713  
 REF GS072711—GS072712—GS072713

NOTE 1		
Adjuster Bed Support Mesh Screens		
10 μm	20 μm	30 μm
SPKQS070001	SPKQS070002	SPKQS070003



Item	Qty	DESCRIPTION	MATERIAL/COMMENT	Kits Catalogue Numbers																				
				SPKQS070001 (critical/PM)	SPKQS070002 (critical/PM)	SPKQS070003 (critical/PM)	SPKQS070004 (critical/PM)	SPKQS070005 (other)	SPKQS0710140001 (other)	SPKQS0710140002 (critical/PM)	SPKQS0710140003 (other)	SPKQS0710140004 (other)	SPKQS0710140006 (other)	SPKQS0710140007 (other)	SPKQS0710140008 (other)	SPKQS0710140009 (other)	SPKQS0710140010 (other)	SPKQS0710140011 (other)	SPKQS0710140024 (other)	SPKQS0710140026 (other)	SPKQS0700028 (other)			
1	1	4 mm PNEUFIT PUSH-IN STRAIGHT CONNECTOR	26034WA																				1	
2	1	ADJUSTER CELL—70 COLUMN	BLACK POLYPROPYLENE	1	1	1																		
3	3	ADJUSTER HANDLE BLACK—M10 FEMALE x 65 mm LONG																				3	3	
4	1	ANTI-JET DISC, 15 mm O/D, GL70-140 COLUMNS	BLACK POLYPROPYLENE	1	1	1																		
5	1	BED SUPPORT ØD x Ø7 x 1.7 THK	POROSTAR—DIN 1.4539, See Note 1	1	1	1																		
6	1	BOSS HANDWHEEL, STEM ROTATION—GL70/140 COLUMNS	SST 316L																			1		
7	1	COLLET SPLIT, FLOW TUBE, GL200/300 COLUMNS	BLACK ACETAL						1		1	1												
8	1	DISC SPRING CASSETTE ASSEMBLY—GL70 COLUMN					1																	
9	2	DOWEL PIN—Ø8 x 12 LG	SST 316L								2											2		
10	1	DOWEL, ANTI ROTATION—Ø4 x 15.5 LG	SST 316L	1	1	1																		
11	1	FLOW TUBE ½" SANITARY, 4 mm BORE L = 808 mm (GL70/140 COLUMNS)	SST 316L								1													
12	2	HAND KNOB ASSEMBLY—M12 x 56 mm LONG SEE	PARTS LIST																					
13	1	IDENTITY PLATE LABEL																						
14	1	LABEL "RAISE/LOWER"																						
15	1	MALE STUD PNEUMATIC FITTING, M5 MALE x 4 mm O/D TUBE PUSH-IN																					1	
16	1	O' RING—BS119 (23.47 I/D x 2.62 SECTION)	EPDM	1	1	1	1																	
17	1	O' RING—BS132 (44.12 I/D x 2.62 SECTION)	EPDM	1	1	1	1																	
18	1	O' RING—BS803 (6.35 I/D x 1.78 SECTION)	EPDM				1																	
19	1	O' RING—BS813 (22.23 I/D x 2.62 SECTION)	EPDM				1	1	1	1	1	1	1	1	1	1	1							
20	1	PNEUMATIC CONNECTION SUPPORT	BLACK ACETAL																				1	
21	1	POLYURETHANE COIL TUBING—4 mm DIA	POLYURETHANE																			1	1	
22	1	QuikScale <sup>®</sup> FLOW TUBE UPPER SPLIT COLLET, GL70-140 COLUMNS	BLACK ACETAL									1	1	1										
23	1	RATING PLATE LABEL																						
24	1	RETAINER PLATE, ADJUSTERT THRUST RING. GL70-140 COLUMNS	SST 316L																					
25	2	SCREW—BUTTON HEAD—M6 x 10	SST 316L																					
26	1	SCREW—CAP HEAD—M5 x 12 LG	SST 316																				1	
27	4	SCREW—CAP HEAD—M5 x 16 LG	SST 316																			4	4	
28	2	SCREW GRUB M3 x 6 mm 90° cone point	SST 304																				2	
29	1	SEAL—ADJUSTER CELL BED SUPPORT—GL70	EDPM FDA E50Q	1	1	1																		
30	1	SEAL—SQUARE SECTION—14.5 O/D x 6 I/D x 3 THICK	EPDM	1	1	1	1	1	1	1	1	1	1	1	1	1	1							
31	1	SEAL WEDGE TYPE (DOUBLE CHAMFER) ADJUSTER CELL P70 COLUMNS	BLACK EPDM	1	1	1	1																	
32	1	SEALING BELLOW, FLOW TUBE (GL70-140 COLUMNS)	EPDM									1	1	1							1		3	
33	1	STEM THREADED 30 x 6 PITCH MALE L/H TRAPEZOIDAL GL70/140 x 550 COLUMN	SST 316L									1												
34	3	STUD M10 x 134 mm OVERALL LENGTH (14,100,20)	SST 316L																			3	3	
35	1	THRUST RING STEM RETAINER Ø30 x 6 LH THREAD	BLACK ACETAL																					
36	1	YOKE, LOAD FRAME, FORGED. GL70/140 COLUMNS	SST 316L FORGED																					

# Kits for Top QuikScale® Column—Diameter 100 GA & GS

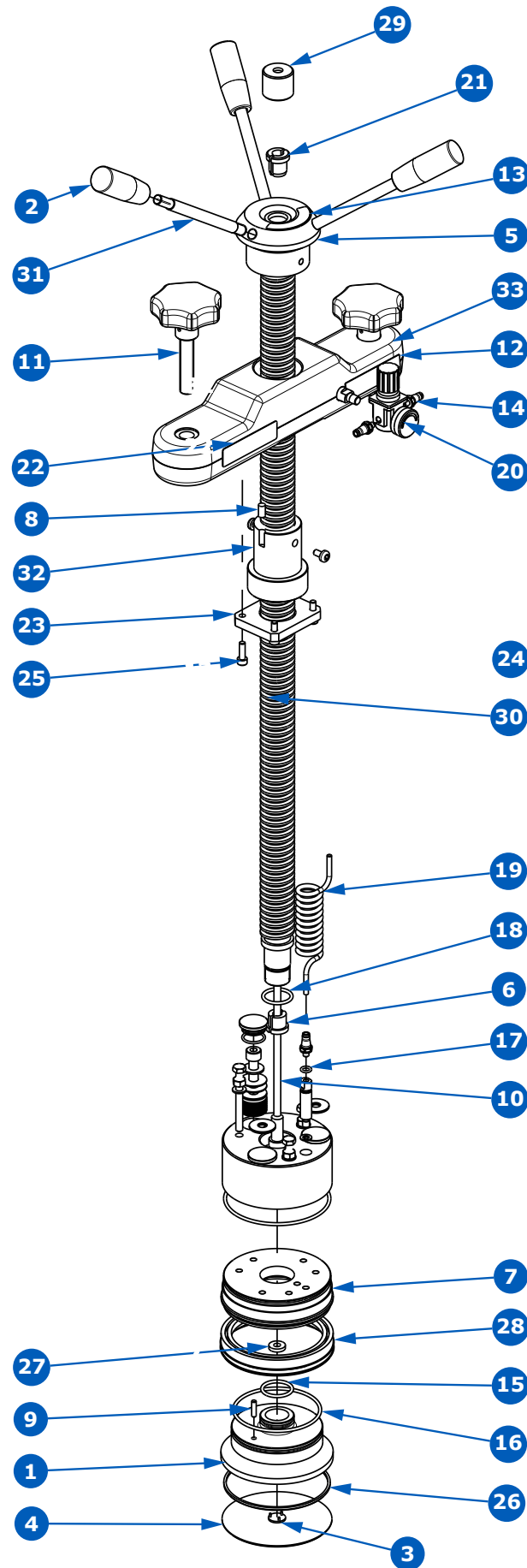
## KITS FOR TOP COLUMN QuikScale® DIA 100 MODEL GA & GS

REF GA101711—GA101712—GA101713

REF GS101711—GS101712—GS101713

REF GA102711—GA102712—GA102713

REF GS102711—GS102712—GS102713



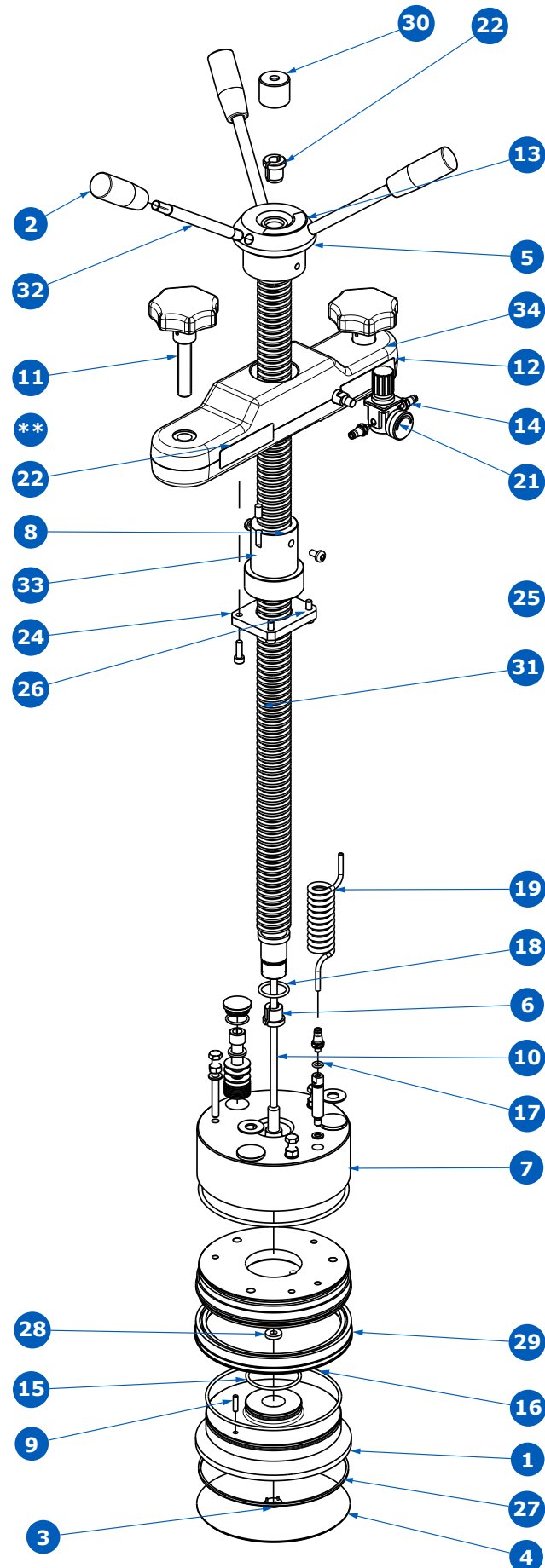
NOTE 1		
Adjuster Bed Support Mesh Screens		
10 µm	20 µm	30 µm
SPKQS100001	SPKQS100002	SPKQS100003

Item	Qty	DESCRIPTION	MATERIAL/COMMENT	Kits Catalogue Numbers																				
				SPKQS100001 (critical/PM)	SPKQS100002 (critical/PM)	SPKQS100003 (critical/PM)	SPKQS100004 (critical/PM)	SPKQS100005 (other)	SPKQS0710140001 (other)	SPKQS0710140002 (critical/PM)	SPKQS0710140003 (other)	SPKQS0710140004 (other)	SPKQS0710140006 (other)	SPKQS0710140007 (other)	SPKQS0710140008 (other)	SPKQS0710140009 (other)	SPKQS0710140010 (other)	SPKQS0710140011 (other)	SPKQS0710140024 (other)	SPKQS0710140026 (other)	SPKQSXX0002 (other)			
1	1	ADJUSTER CELL—100 COLUMN	BLACK POLYPROPYLENE	1	1	1																		
2	3	ADJUSTER HANDLE BLACK—M10 FEMALE x 65 mm LONG																		3	3			
3	1	ANTI-JET DISC, 15 mm O/D, GL70-140 COLUMNS	BLACK POLYPROPYLENE	1	1	1																		
4	1	BED SUPPORT ØD x Ø7 x 1.7 THK	POROSTAR—DIN 1.4539, See Note 1	1	1	1																		
5	1	BOSS HANDWHEEL, STEM ROTATION—GL70/140 COLUMNS	SST 316L																		1			
6	1	COLLET SPLIT, FLOW TUBE, GL200/300 COLUMNS	BLACK ACETAL					1		1	1													
7	1	DISC SPRING CASSETTE ASSEMBLY—GL100 COLUMN					1																	
8	2	DOWEL PIN—Ø8 x 12 LG	SST 316L									2									2			
9	1	DOWEL, ANTI ROTATION—Ø4 x 15.5 LG	SST 316L		1	1																		
10	1	FLOW TUBE ½" SANITARY, 4 mm BORE L = 808 mm (GL70/140 COLUMNS)	SST 316L									1												
11	2	HAND KNOB ASSEMBLY—M12 x 56 mm LONG																			2			
12	1	IDENTITY PLATE LABEL																			1			
13	1	LABEL "RAISE/LOWER"																			1			
14	3	MALE STUD PNEUMATIC FITTING, M5 MALE x 4 mm O/D TUBE PUSH-IN																			1	2		
15	1	O' RING—BS119 (23.47 I/D x 2.62 SECTION)	EPDM	1	1	1	1																	
16	1	O' RING—BS150 72.7 I/D x 2.62 SECTION)	EPDM	1	1	1	1																	
17	1	O' RING—BS803 (6.35 I/D x 1.78 SECTION)	EPDM				1																	
18	1	O' RING—BS813 (22.23 I/D x 2.62 SECTION)	EPDM				1	1	1	1	1	1	1	1	1	1								
19	1	POLYURETHANE COIL TUBING—4 mm DIA	POLYURETHANE																		1	1		
20	1	PRESSURE REGULATOR, THREADED M5 x 1/16"																				1		
21	1	QuikScale® FLOW TUBE UPPER SPLIT COLLET, GL70-140 COLUMNS	BLACK ACETAL					1	1	1														
22	1	RATING PLATE LABEL																				1		
23	1	RETAINER PLATE, ADJUSTERT THRUST RING. GL70-140 COLUMNS	SST 316L																			1		
24	2	SCREW—BUTTON HEAD—M6 x 10	SST 316L																					
25	4	SCREW—CAP HEAD—M5 x 16 LG	SST 316																			4	4	4
26	1	SEAL—ADJUSTER CELL BED SUPPORT—GL100	EDPM FDA E50Q	1	1	1																		
27	1	SEAL—SQUARE SECTION—14.5 O/D x 6 I/D x 3 THICK	EPDM	1	1	1	1	1	1	1	1	1	1	1	1	1								
28	1	SEAL WEDGE TYPE (DOUBLE CHAMFER) ADJUSTER CELL P100 COLUMNS	BLACK EPDM	1	1	1	1																	
29	1	SEALING BELLOW, FLOW TUBE (GL70-140 COLUMNS)	EPDM					1	1	1													3	
30	1	STEM THREADED 30 x 6 PITCH MALE L/H TRAPEZOIDAL GL70/140 x 550 COLUMN	SST 316L									1												
31	3	STUD M10 x 134 mm OVERALL LENGTH (14,100,20)	SST 316L																				3	3
32	1	THRUST RING STEM RETAINER Ø30 x 6 LH THREAD	BLACK ACETAL																				1	
33	1	YOKE, LOAD FRAME, FORGED. GL70/140 COLUMNS	SST 316L FORGED																				1	

# Kits for Top QuikScale® Column—Diameter 140 GA & GS

## KITS FOR TOP COLUMN QuikScale® DIA 140 MODEL GA & GS

REF GA141711—GA141712—GA141713  
 REF GS141711—GS141712—GS141713  
 REF GA142611—GA142612—GA142613  
 REF GS142611—GS142612—GS142613



NOTE 1		
Adjuster Bed Support Mesh Screens		
10 µm	20 µm	30 µm
SPKQS140001	SPKQS140002	SPKQS140003

Item	Qty	DESCRIPTION	MATERIAL/COMMENT	Kits Catalogue Numbers																
				SPKQS140001 (critical/PM)	SPKQS140002 (critical/PM)	SPKQS140003 (critical/PM)	SPKQS140004 (critical/PM)	SPKQS140005 (other)	SPKQS0710140001 (other)	SPKQS0710140002 (critical/PM)	SPKQS0710140003 (other)	SPKQS0710140004 (other)	SPKQS0710140006 (other)	SPKQS0710140007 (other)	SPKQS0710140008 (other)	SPKQS0710140009 (other)	SPKQS0710140010 (other)	SPKQS0710140011 (other)	SPKQS0710140024 (other)	SPKQS0710140026 (other)
1	1	ADJUSTER CELL—140 COLUMN	BLACK POLYPROPYLENE	1	1	1														
2	3	ADJUSTER HANDLE BLACK—M10 FEMALE x 65 mm LONG																3	3	
3	1	ANTI-JET DISC, 15 mm O/D, GL70-140 COLUMNS	BLACK POLYPROPYLENE	1	1	1														
4	1	BED SUPPORT ØD x Ø7 x 1.7 THK	POROSTAR—DIN 1.4539, See Note 1	1	1	1														
5	1	BOSS HANDWHEEL, STEM ROTATION—GL70/140 COLUMNS	SST 316L																1	
6	1	COLLET SPLIT, FLOW TUBE, GL200/300 COLUMNS	BLACK ACETAL						1	1										
7	1	DISC SPRING CASSETTE ASSEMBLY—GL140 COLUMN					1													
8	2	DOWEL PIN—Ø8 x 12 LG	SST 316L								2						2			
9	1	DOWEL, ANTI ROTATION—Ø4 x 15.5 LG	SST 316L	1	1	1														
10	1	FLOW TUBE ½" SANITARY, 4 mm BORE L = 808 mm (GL70/140 COLUMNS)	SST 316L							1										
11	2	HAND KNOB ASSEMBLY—M12 x 56 mm LONG																2		
12	1	IDENTITY PLATE LABEL																		
13	1	LABEL "RAISE/LOWER"																		
14	3	MALE STUD PNEUMATIC FITTING, M5 MALE x 4 mm O/D TUBE PUSH-IN																	1	2
15	1	O' RING—BS132 (44.12 I/D x 2.62 SECTION)	EPDM	1	1	1	1													
16	1	O' RING—BS157 (113.97 I/D x 2.62 SECTION)	EPDM	1	1	1	1													
17	1	O' RING—BS803 (6.35 I/D x 1.78 SECTION)	EPDM				1													
18	1	O' RING—BS813 (22.23 I/D x 2.62 SECTION)	EPDM				1	1	1	1	1	1	1	1	1	1				
19	1	POLYURETHANE COIL TUBING—4 mm DIA	POLYURETHANE																1	1
20	1	PRESSURE REGULATOR MOUNT ¼"NPT x M5	SST 316L																	1
21	1	PRESSURE REGULATOR, THREADED M5 x ¼"																		1
22	1	QuikScale® FLOW TUBE UPPER SPLIT COLLET, GL70-140 COLUMNS	BLACK ACETAL							1	1	1								
23	1	RATING PLATE LABEL																	1	
24	1	RETAINER PLATE, ADJUSTERT THRUST RING. GL70-140 COLUMNS	SST 316L												1					
25	2	SCREW—BUTTON HEAD—M6 x 10	SST 316L																	
26	4	SCREW—CAP HEAD - M5 x 16 LG	SST 316													4	4	4		
27	1	SEAL—ADJUSTER CELL BED SUPPORT—GL140	EDPM FDA E50Q	1	1	1														
28	1	SEAL—SQUARE SECTION—14.5 O/D x 6 I/D x 3 THICK	EPDM	1	1	1	1		1	1	1	1	1	1	1	1				
29	1	SEAL WEDGE TYPE (DOUBLE CHAMFER) ADJUSTER CELL P140 COLUMNS	BLACK EPDM	1	1	1	1													
30	1	SEALING BELLOW, FLOW TUBE (GL70-140 COLUMNS)	EPDM						1	1	1				1					3
31	1	STEM THREADED 30 x 6 PITCH MALE L/H TRAPEZOIDAL GL70/140 x 550 COLUMNS	SST 316L							1										
32	3	STUD M10 x 134 mm OVERALL LENGTH (14,100,20)	SST 316L																	3
33	1	THRUST RING STEM RETAINER Ø30 x 6 LH THREAD	BLACK ACETAL												1					
34	1	YOKE, LOAD FRAME, FORGED. GL70/140 COLUMNS	SST 316L FORGED																	1



## Technical Assistance

For more information, please visit [www.sigmaaldrich.com](http://www.sigmaaldrich.com)  
for up-to-date worldwide contact information

